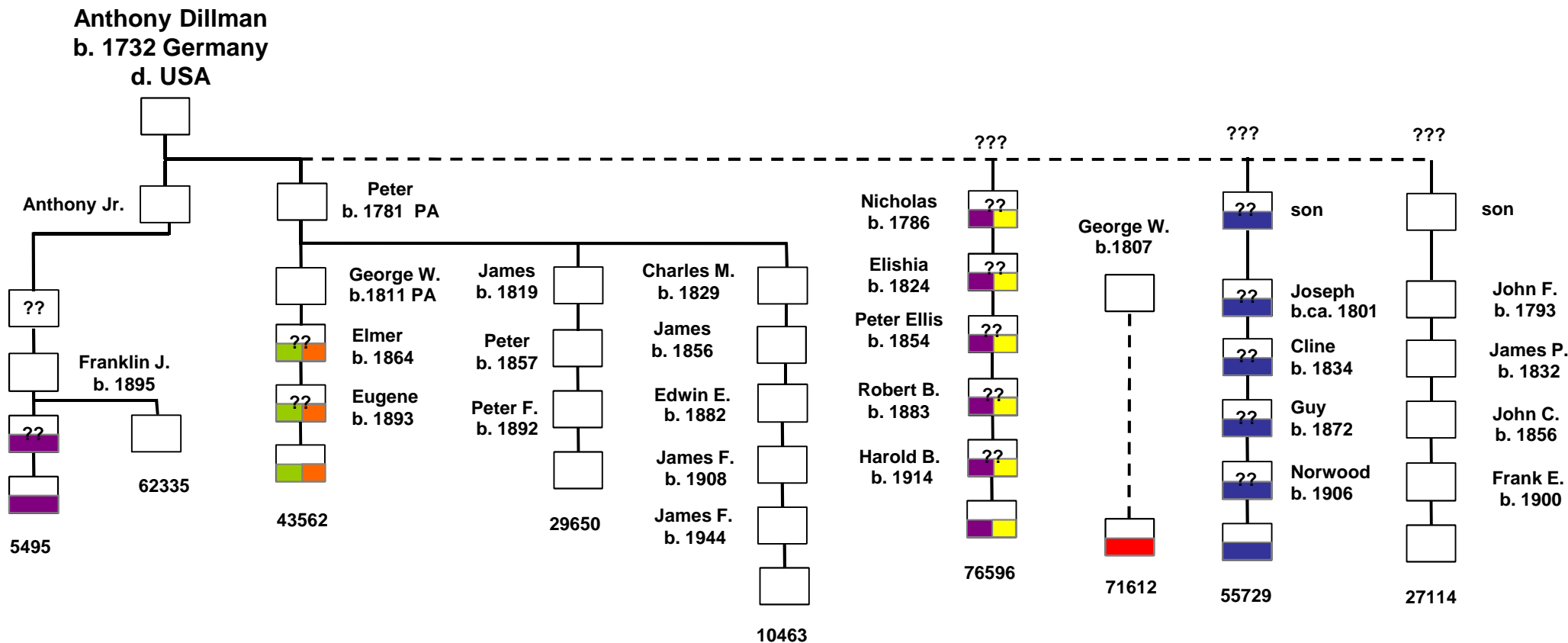


HAP: R1b1b2

Possible family tree for Group 1



MUTATIONS

576	- 19 -		CDY-b	- 37 -	
449	- 29 -		GATAH4	- 10 -	
460	- 10 -				
442	- 11 -				

?? – origin of mutation is unclear

n/a – indicates that 37 marker test results are pending

??? – indicates that the farthest ancestor for that participant has not yet been connected to the common tree